

B



天津市博雷阀门有限公司
TIANJIN BOLLEY VALVE CO. LTD.

BOX SERIES ELECTRIC
ACTUATORS
BOX 系列电动执行器



建百年博雷阀门 创国际品牌

BUILT IN ONE HUNDRED BOLLEY VALVE
THE FAR EAST AND INTERNATIONAL BRAND

COMPANY PROFILE

公司简介

天津市博雷阀门有限公司是一家集开发、生产、销售于一体的阀门公司，具有多年专业设计制造阀门丰富经验，技术力量雄厚，生产工艺先进，拥有现代化机械加工中心和检测设备。

公司主导产品有：闸阀、截止阀、蝶阀、球阀、止回阀、调节阀、减压阀、隔膜阀、旋塞阀、柱塞阀、疏水阀、安全阀、美标阀、水力控制阀等80多种品种、300多个系列、几千种规格。产品采用GB、JB、HG、API、ANSI、DIN、JIS、BS等国内外先进标准设计制造。通径从1/4"至96"(DN6-2400 mm)、压力从150LB至2500LB (2MPa-42MPa)、工作温度为-196℃至800℃。主要材质有灰铸铁、球墨铸铁、铜、碳素钢、不锈钢、合金钢、低温钢、铬钼钢、沉淀硬化钢及其他特殊钢材。阀门驱动方式有：手动、齿轮传动、电动、气动和液动；连接方式有：焊接、法兰、螺纹、对夹、卡套等系列产品。

多年来，公司产品广泛应用于电力、石油、化工、冶金、造纸、蒸汽、制药、燃气、环保、染料、供热、城建、污水处理等行业，产品已在全国各地享有盛誉，并远销东南亚国家和地区，深受广大客户好评。

Tianjin Bolley Valve Co., Ltd. is a collection development, production and sales of integrated valve company, has many years of professional design and manufacture of valves, rich experience, strong technical force, advanced production technology, with modern machining centers and testing equipment.

Our main products are: Gate Valve, Globe Valve, Butterfly Valve, Ball Valve, Check Valve, Control Valve, Relief Valve, Diaphragm Valve, Plug Valve, Plunger Valve, Drain Valve, Safety Valve, American Standard Valves, Hydraulic Control Valves and other 80 kinds of varieties, more than 300 series, thousands of specifications. The products are designed and manufactured by GB, JB, HG, API, ANSI, DIN, JIS, BS and other advanced standards at home and abroad. The diameter is from 1/4 "to 96" (DN6-2400mm), the pressure is from 150LB to 2500LB (2MPa-42MPa), and the working temperature is from -196℃ to 800℃. The main materials are cast iron, ductile iron, copper, carbon steel, stainless steel, alloy steel, low temperature steel, chrome molybdenum steel, precipitation hardening steel and other special steel. The valve drive methods are: manual, gear drive, electric, pneumatic and hydraulic; connection methods are: welding, flange, thread, pairs of clamps, clamps and other products.

Over the years, the company's products are widely used in electric power, petroleum, chemical industry, metallurgy, papermaking, steam, gas, pharmaceutical, environmental protection, dyes, heating, urban construction, sewage treatment and other industries, products have been renowned throughout the country and exported to Southeast Asian countries and regions, well received by our customers.

**我们力求每一个环节都做到精益求精，
争做控制系统行业之美好明天的领航者！**

We Strive To Achieve Excellence In Every Aspect,
To Control System Of Industry Leader A Better Tomorrow!

BOX系列 电动执行器

BOX SERIES ELECTRIC ACTUATORS



BOX 系列 电动执行器

BOX SERIES ELECTRIC ACTUATORS



01/02

◆ 产品特点 Features

- 设计精巧、性能优越、重量轻、输出扭矩大。
- 外壳内外部经硬氧处理，外部采用环氧树脂+粉末喷涂处理，防腐性能好。
- 产品防护等级达IP67。
- 输出端连接尺寸符合ISO5211国际标准。
- 可换连接轴套，易于加工和安装。
- 蜗轮蜗杆结构，具有自锁功能；并具有外部可调机械限位。
- 内置热保护器，对电机进行保护。
- 大视窗连续阀位指示，更好的观看阀位。
- 多种现场控制单元，根据用户需要提供最佳的性能。
- 可选智能控制单元。
- Exquisite design, excellent performance, light weight, and big output torque.
- The inside and outside of closure is treated by hard oxygen, while epoxy resin+powder spraying are adopted for external treatment, which posses good antiseptic performance.
- Protective grade of product is upward of IP67.
- Connection dimension of output is in accordance with the National Standard ISO5211.
- Connection shaft sleeve can be replaced, and easily processed and installed.
- Worm wheels structure, which has self-locking function, and is of external adjustable mechanical limit.
- It embedded thermal protector to carry out protection on electrical machine.
- Indicate the valve position continuously by big window for better viewing.
- Multiple filed control unit, provide the best performance according to the requirement of users.
- Intelligent control, unit could be selected.

◆ 标准规格 Standard Specification

外壳 Shell	防水级别 IP67, NEMA4和6 Waterproofing levels IP67, NEMA4 and 6	
电机电源 Motor power	标准:220V AC 单相 可选:110V AC 单相,380/440V AC 三相,50/60Hz, ± 10% 24V DC/110V DC/220V DC	Standard: 220V AC Single-phase Optional: 110V AC Single-phase, 380/440V AC Three-phase, 50/60Hz, ± 10% 24V DC/110V DC/220V DC
电机 Motor	鼠笼式异步电机 Squirrel-cage asynchronous motor	
限位开关 Limit switch	开/关,各1个SPDT,250V AC 10A ON / OFF, Each of 1 SPDT, 250V AC 10A	
辅助限位开关 Auxiliary limit switch	开/关,各1个SPDT,250V AC 10A ON / OFF, Each of 1 SPDT, 250V AC 10A	
行程 Stroke	90° ~270° ± 10° (如果行程超过90° 请提前说明) 90° ~270° ± 10° (Please specify in advance if 90°)	0° ~27° 可选 0° ~27° Optional
失速防护/操作温度 Stall protection / operation temperature	内置过热保护,开120°C ± 5°C/关97°C ± 5°C Inside overheating protetion, open 120°C ± 5°C/Close 97°C ± 5°C	
指示器 Indicator	连续的位置指示刻度 Continuous position indicator	
手动操作 Manual operation	机械手柄(可选装手轮) Mechanical handle (Optional handwheel)	
自锁装置 Self-locking device	蜗轮,蜗杆机构提供自锁 Provide self-locking by worm and wormgear	
机械限位 Mechanical limit	2个外部调整螺栓 2 Pieces of external adjustable bolt	
干燥器 Space heater	7-10W(110/220V AC)	
接线孔 Conduit entry	2个M18 2Pieces of M18	
环境温度 Ambient temperature	-20°C~ +70°C	
润滑 Lubrication	铝基润滑脂(EP型) Aluminum base grease (EP)	
材料 Material	钢,铝合金,铝青铜,聚碳酸酯 Steel, aluminum alloy, aluminum bronze, polycarbonate	
环境湿度 Ambient humidity	最大90% RH Max 90% RH	非凝结 Non condensation
抗震性能 Anti-vibration performance	XYZ10g,0.2~34Hz,30分钟(Minutes)	
外涂层 External coating	干粉,环氧聚酯 Dry powder, epoxy polyester	

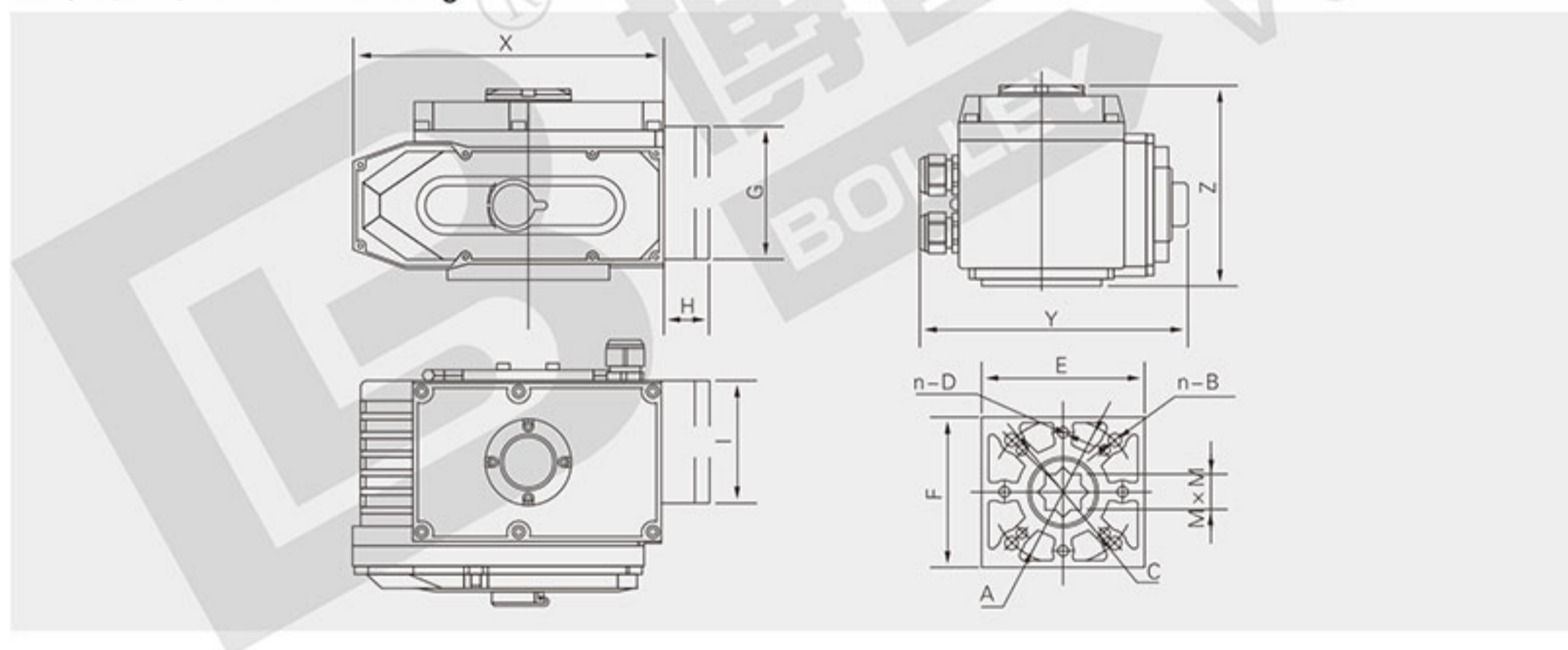
◆ 可选规格 Optional Specifications

编号 No.	可选配置 Optional configuration	备注 Remarks
1	电位计(1K-10K) Potentiometer (1K-10K)	除BOX-03外 Except BOX-03
2	比例控制单元(输入,输出信号4-20mA DC/1-5V/1-10V) Proportional control unit (input, output signal 4-20mA DC/1-5V/1-10V)	除BOX-03外 Except BOX-03
3	现场控制单元(就地控制开/停/关选 择开关,就地/远程切换) Field control unit (local control on / off / off selector switch, local / remote switching)	除BOX-03外 Except BOX-03
4	行程 Stroke 120° ,180° ,270°	BOX系列 BOX Series
5	电流位置传感器(输出4-20mA DC) Current position sensor (Output 4-20mA DC)	除BOX-03外 Except BOX-03
6	断电复位 Self-reset when power failure	BOX系列 BOX Series
7	快开(2.8s,5s,10s,15s) Quick opening(2.8s,5s,10s,15s)	BOX系列 BOX Series

◆ 技术参数及规格 Technical Data and Specifications

型号 Model	最大输出扭矩 Max output torque(N-M)	动作时间90° Operating time 90° (s)	输出轴 Drive shaft(mm)				电动 Motor (W)	单相额定电流 Rated current(A) 220VAC/1ph	重量 Weight (kg)
			方轴 Square	轴深 Deep	圆轴 Round	轴深 Deep			
BOX-003	30	10	9×9	13.5	Φ12.6		6	0.25	2.1
BOX-005	50	30	11×11	15.5	Φ12.6		10	0.25	3.5
			14×14	18					
BOX-008	80	30	11×11	15.5	Φ15.78		15	0.25	3.5
			14×14	18					
BOX-010	100	30	14×14	18	Φ15.78		25	0.35	5
			17×17	22.5	Φ18.95				
BOX-015	150	30	14×14	18			30	0.35	5
			17×17	22.5					
BOX-020	200	30	22×22	26	Φ22.13		40	0.48	12
BOX-040	400	30	22×22	26	Φ28.48		60	0.92	12
BOX-060	600	30	22×22	32.5	Φ31.65		90	0.92	14
BOX-080	800	40	27×27	32.5	Φ31.65		130	1	14.3
BOX-100	1000	40	27×27	32.5	Φ31.65		130	1	14.5

◆ 外观尺寸 General Drawing



型号 Model	X	Y	Z	A	N-B	C	N-D	E	F	G	H	I	M x M
BOX-003	123	100	115	Φ50	4-M8	Φ36	4-M6	50	50	114	40	150	9x9 11x11
BOX-005	161	121	125	Φ70	4-M8	Φ50	4-M6	66	66	114	40	150	11x11
													14x14
BOX-008	188	145	127	Φ70	4-M8	Φ50	4-M6	100	90	114	40	150	11x11
													14x14
BOX-010	188	145	127	Φ70	4-M8	Φ50	4-M6	100	90	114	40	150	14x14
													17x17
BOX-015	188	145	127	Φ70	4-M8	Φ50	4-M6	100	90	114	40	150	14x14
													17x17
BOX-020	268	255	164	Φ125	4-M12	Φ102	4-M10	140	130	114	40	150	22x22
BOX-040	268	255	164	Φ125	4-M12	Φ102	4-M10	140	130	114	40	150	22x22
BOX-060	268	255	164	Φ125	4-M12	Φ102	4-M10	140	130	114	40	150	22x22
BOX-080	268	255	164	Φ125	4-M12	Φ102	4-M10	140	130	114	40	150	27x27
BOX-100	268	255	164	Φ125	4-M12	Φ102	4-M10	140	130	114	40	150	27x27

BOX 系列 电动执行器

BOX SERIES ELECTRIC ACTUATORS



调节型
Modulating type

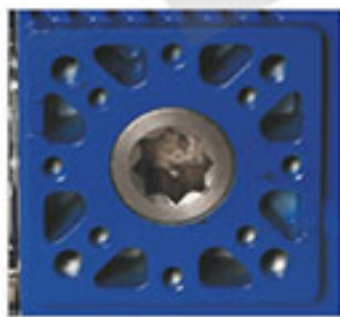
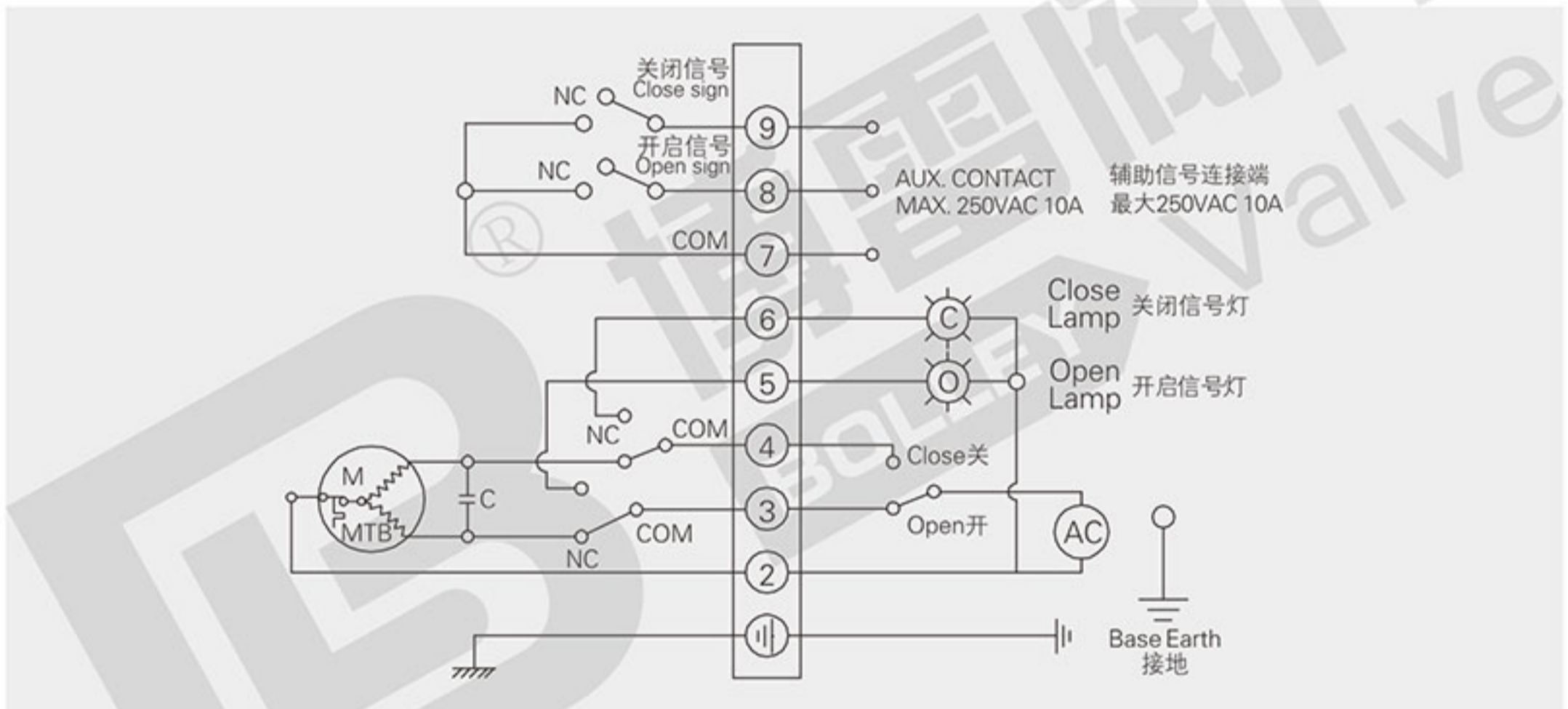


开关型
On-off Type

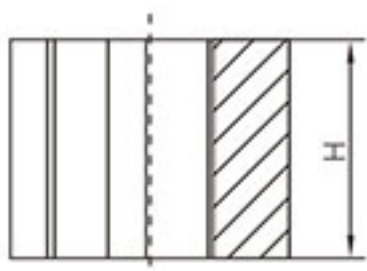
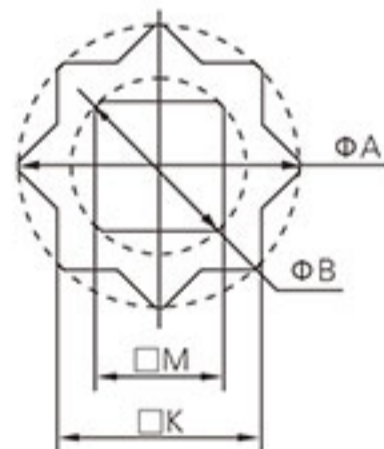


◆ 接线图 Wiring Diagram

220VAC 无源触点型 220VAC On-off Passive Type



ISO5211 连接盘
ISO5211 Actuator Mounting



八角套
Star Adapter



四方套
Square Adapter

◆ 连接套规格 Adapter Specifications

Type	K	A	M	ΦB	H
11M7	11	15	7	10	12
11M9	11	15	9	12	12
14M9	14	19	9	12	16
14M11	14	19	11	14.8	16
17M11	17	23	11	14.8	19
17M14	17	23	14	19	19
19M11	19	26	11	14.8	21
19M14	19	26	14	19	21
19M17	19	26	17	23	21
22M14	22	30	14	19	24
22M17	22	30	17	23	24
22M19	22	30	19	26	24
27M17	27	37	17	23	29
27M19	27	37	19	26	29
27M22	27	37	22	30.3	29
36M19	36	49	19	26	38
36M22	36	49	22	30.3	38
36M27	36	49	27	37.3	38
46M36	46	60	36	60	48



天津市博雷阀门有限公司
TIANJIN BOLLEY VALVE CO. LTD.

地址(Add): 天津市南开区密云一支路

电话(Tel): 022-27575088

传真(Fax): 022-87880319

Http: //www.bl-bolley.com

E-mail: cn@bolley.cn